

BRASS SWING CHECK VALVE

MODEL LVBSC & LVOBSC

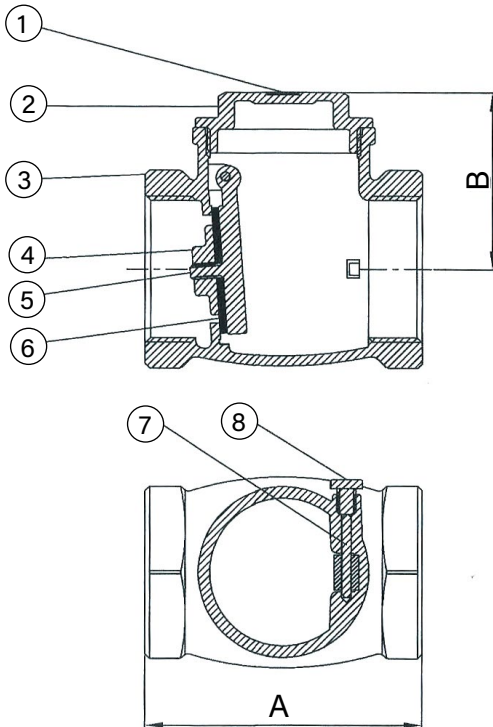


FEATURES:

- Full Floating Clapper Assembly
- Sizes: 1/2" IPS - 2" IPS
- Female x Female
- Rated Pressure: 200 PSI
- Intended for use in Fire Protection systems and non-potable plumbing systems
- Can be installed vertically or horizontally
- Contains Lead. Not for use in water systems intended for human consumption

DESCRIPTION: LVOBSC

Lansdale's 1/2" Brass Swing Check Valve with 3/32" orifice is designed to be used in the pressure sensing line in the fire pump system. The Check Valve has a plate containing a 3/32" hole that provides the necessary pressure drop required by the sensing line without allowing unnecessary pump starts and false flow signals due to major pressure surges. The Check Valve can only be used to flow clear water, so that no sediment or debris can block the 3/32" hole.



MATERIAL LIST			
NUMBER	DESCRIPTION	MATERIAL	SPEC. ASTM
1	Name Plate	Aluminum	Commercial
2	Cap	Cast Brass	B584 C85700
3	Body	Cast Brass	B584 C85700
4	Disc Nut	Brass Rod Cast Brass	B16 C3600 (1/2"-1") B584 C85700
5	Disc	Forged Brass	B124 C37700
6	Seat	NBR	
7	Hinge Pin	Brass Rod	B111 C28000
8	Plug	Brass Rod	B16 C36000

SIZE						
DIMENSIONS (IN)	1/2*	3/4	1	1-1/4	1-1/2	2
A	2.10	2.36	2.60	3.20	3.54	4.25
B	1.40	1.60	1.73	2.00	2.25	2.72

*Available with 3/32" orifice as described above

PROJECT	APPROVAL STAMP
PROJECT:	<input type="checkbox"/> APPROVED
ADDRESS:	<input type="checkbox"/> APPROVED AS NOTED
ENGINEER:	<input type="checkbox"/> NOT APPROVED
SUBMITTAL DATA:	REMARKS:
NOTES 1:	
NOTES 2:	