

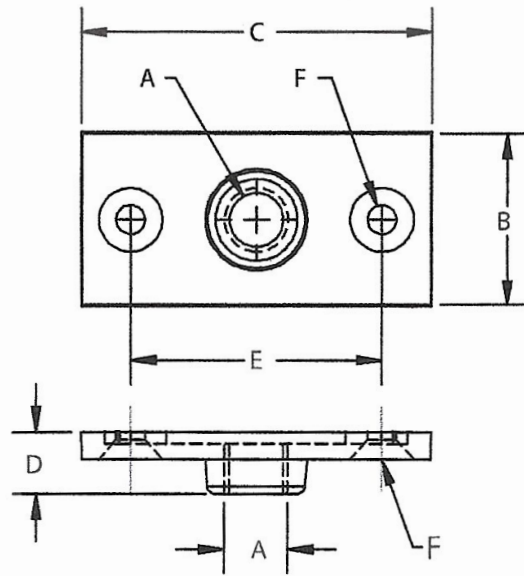
CEILING FLANGE

MODEL LVHCF



FEATURES:

- Designed to be attached to wood beams, ceilings, and walls
- Made of high strength ductile iron
- Available black or galvanized



Size A Rod (In.)	B (In.)	C (In.)	D (In.)	E	F Screw Size	Max. Load (Lbs.)	Weight Each (Lbs.)
3/8	1-3/8	2-5/8	7/16	2	#12	180	0.18
1/2	1-3/8	2-5/8	7/16	2	#12	180	0.18

PROJECT		APPROVAL STAMP
PROJECT:		<input type="checkbox"/> APPROVED
ADDRESS:		<input type="checkbox"/> APPROVED AS NOTED
ENGINEER:		<input type="checkbox"/> NOT APPROVED
SUBMITTAL DATA:		REMARKS:
NOTES 1:		
NOTES 2:		