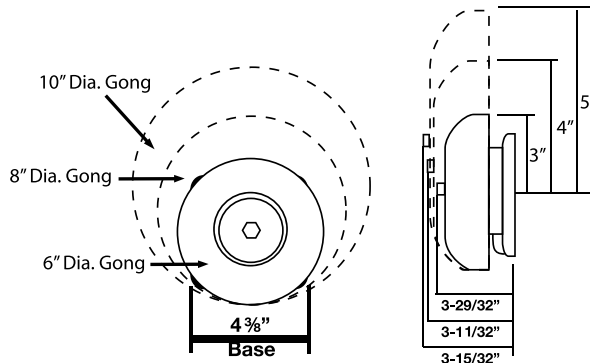




**DESCRIPTION:**

- 120 VAC: 6", 8", 10"
- 24 DC: 6", 8", 10"
- Four wire, 120 and 24 volt
- Specify voltage when ordering
- Indoor and outdoor Installation

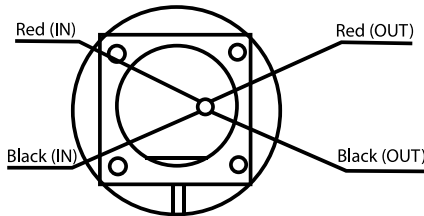


VOLTAGE 24 VAC					
6" GONG SIZE - LV-AB0624		8" GONG SIZE - LV-AB0824		10" GONG SIZE - LV-AB1024	
RATED CURRENT	SOUND LEVEL AT 1 METER	RATED CURRENT	SOUND LEVEL AT 1 METER	RATED CURRENT	SOUND LEVEL AT 1 METER
100mA	95dB	100mA	95dB	100mA	95dB

VOLTAGE 120 VAC					
6" GONG SIZE - AB-12006		8" GONG SIZE - AB-12008		10" GONG SIZE - AB-12010	
RATED CURRENT	SOUND LEVEL AT 1 METER	RATED CURRENT	SOUND LEVEL AT 1 METER	RATED CURRENT	SOUND LEVEL AT 1 METER
46mA	95dB	46mA	95dB	46mA	95dB

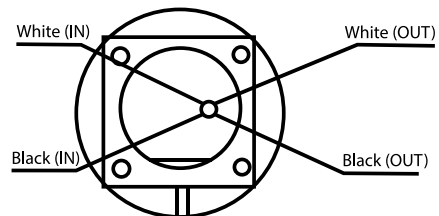
**WIRING INSTRUCTIONS**

**D.C. BELLS (observe polarity)**



- When electrical supervisor is required use in and out leads as shown.
1. Observe polarity to ring DC Bells
  2. Red wires positive(+)
  3. Black wires negative (-)

**A.C. BELLS**



- When electrical supervisor is required use in and out leads as shown.
1. When using AC bells, terminate each extra wire separately after last bell.
  2. End-of-line resistor is not required on AC Bells

PROJECT	APPROVAL STAMP
PROJECT:	<input type="checkbox"/> APPROVED
ADDRESS:	<input type="checkbox"/> APPROVED AS NOTED
ENGINEER:	<input type="checkbox"/> NOT APPROVED
SUBMITTAL DATA:	REMARKS:
NOTES 1:	
NOTES 2:	