

STRAIGHT PATTERN HOSE (GATE) VALVE

MODEL LVSHV

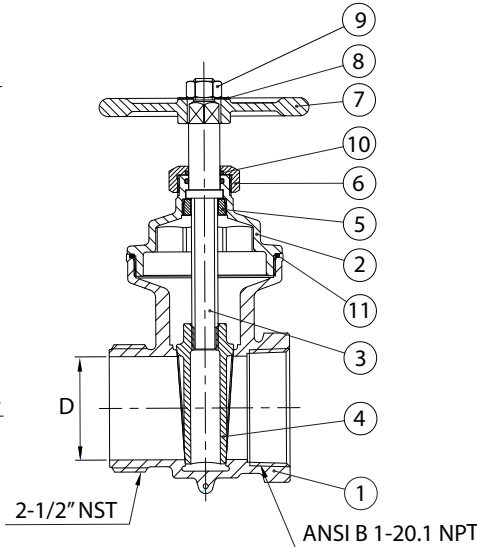
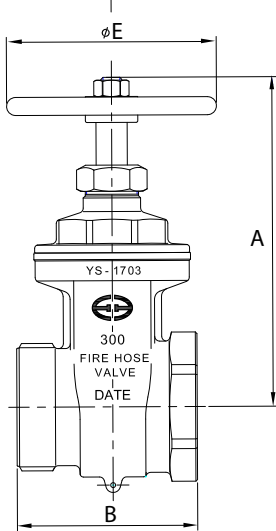
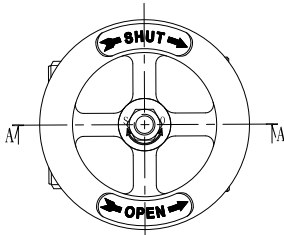


DESCRIPTION:

The Lansdale, "Straight Pattern Hose (Gate) Valve", Model LVSHV, is both UL/FM Listed and Approved and is used on standpipes, hydrants and fire pump test connections. It has a brass body and trim, and is rated for 300 psi. Specify your required hose thread when ordering.

- Finish: Cast Brass
- Chrome Finish - Optional

Size (in.)	A (in.)	B (in.)	D (in.)	E (in.)
2-1/2"	7.56	4.33	2.50	5.0



No.	PART	MATERIAL	QTY.
1	Body	Brass ASTM B584	1
2	Bonnet	Brass ASTM B584	1
3	Stem	Brass	1
4	Disc	Brass ASTM B584	1
5	Retaining Ring	Brass	1
6	Packing Nut	Brass	1
7	Handwheel	Ductile Iron ASTM A536	1
8	Name Plate	Aluminum	1
9	Nut	ST. Steel	1
10	O-Ring	NBR	1
11	O-Ring	NBR	1

PROJECT	APPROVAL STAMP
PROJECT:	<input type="checkbox"/> APPROVED
ADDRESS:	<input type="checkbox"/> APPROVED AS NOTED
ENGINEER:	<input type="checkbox"/> NOT APPROVED
SUBMITTAL DATA:	REMARKS:
NOTES 1:	
NOTES 2:	