

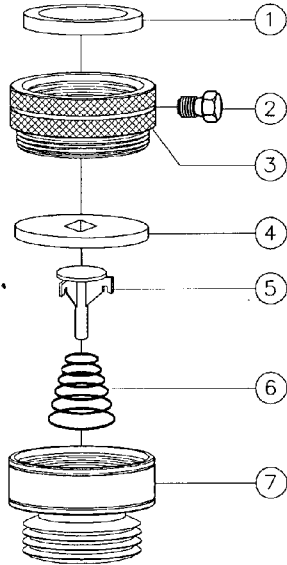
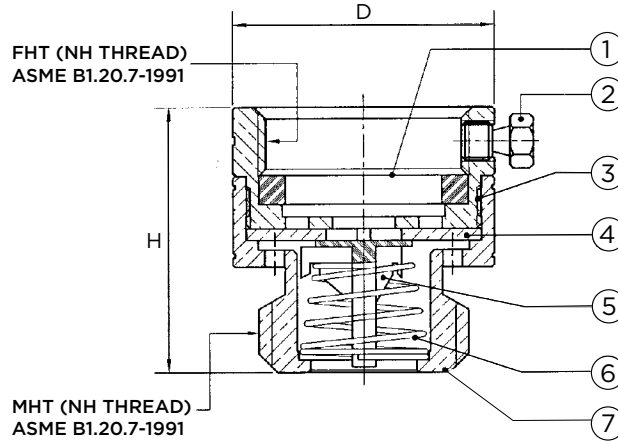
NO LEAD MANUAL SELF DRAINING VACUUM BREAKER

MODEL LVVBMUSDNL



FEATURES:

- No lead brass
- Temperature rating 180°F
- Pressure rating 125 PSI
- ASSE 1011 Approved



NOMINAL SIZE (In.)	DIMENSIONS (In.)			
	D	H	FHT	MHT
3/4 FHT X 3/4 MHT	1.31"	1.32"	3/4-11.5NH	3/4-11.5NH

NOMENCLATURE AND MATERIALS					
NO.	PARTS	PARTS NO.	MATERIALS	QTY.	WATER CONTACT
1	Packing	Pack-R	Rubber (NBR) SN-719F	1	Y
2	Bolt	Bat-K	Brass Rod C37700	1	N
3	Hose Bonnet	TPIHOS-K	Brass Rod C46400	1	Y
4	Packing	Pack-R	Rubber (NBR) SN-719F	1	Y
5	Spring Seat	DDNPIR-P	POM M90 FORMOCON FM090 CF500P	1	Y
6	Spring	PIR-STS	Stainless Steel 304	1	Y
7	Hose Body	BDYHOS-K	Brass Rod C46400	1	Y

PROJECT	APPROVAL STAMP
PROJECT:	<input type="checkbox"/> APPROVED
ADDRESS:	<input type="checkbox"/> APPROVED AS NOTED
ENGINEER:	<input type="checkbox"/> NOT APPROVED
SUBMITTAL DATA:	REMARKS:
NOTES 1:	
NOTES 2:	