

PLUG TYPE SUPERVISORY SWITCH

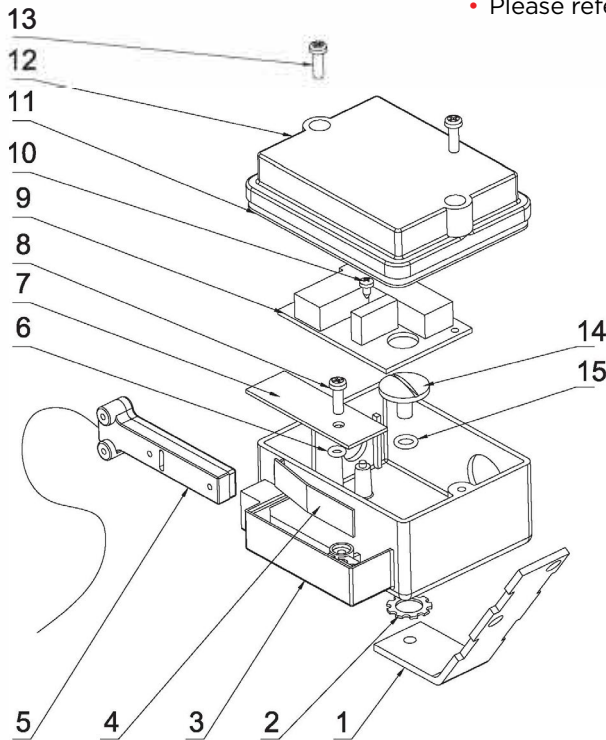
MODEL LVPTS



FEATURES:

The Model LVPTS is designed to supervise sprinkler system control valves and may also be used to secure gates and other applications. This unit is particularly useful for unusual conditions, such as non-rising stem valves. Sealed reed switch operation virtually eliminates contact corrosion.

- **Dimensions:** 7-³/₃₂" x 3-¹⁵/₁₆" x 2-³/₄"
- **Weight:** 0.837 lbs
- **Enclosure:** Non-Corrosive Composite Material
- **Temperature Range:** -40°C to 60°C
- **Housing Cover Tamper:** Activated by housing cover removal
- **Contact Ratings:** SPDT Plug Contacts: 100 mA@ 28 VDC/AC
250 mA@ 12VDC/AC
- **Cable:** 2-wire, 18 Ga. Waterproof -Approx. 8' long
- Fine adjustment feature for fast, easy installation
- Please refer to O&M Manual for Installation Instructions



PLUG TYPE SUPERVISORY SWITCH		
NUMBER	DESCRIPTION	MATERIAL
1	Bracket	Stainless Steel Type 304
2	Lock Washer	Carbon Steel
3	Housing	PC
4	Spring Damper	Red Copper
5	Plug Assembly	
6	O-Ring	NBR
7	Plug Receptacle Cover	Stainless Steel Type 304
8	Anit-theft Screw	Stainless Steel A2-720
9	Circuit Board	Stainless Steel
10	Bolts	Stainless Steel A2-720
11	Gasket	EPDM
12	Cover	PC
13	Anit-theft Screw	Stainless Steel A2-720
14	Bolt	Stainless Steel A2-720
15	O-Ring	NBR

PROJECT	APPROVAL STAMP
PROJECT:	<input type="checkbox"/> APPROVED
ADDRESS:	<input type="checkbox"/> APPROVED AS NOTED
ENGINEER:	<input type="checkbox"/> NOT APPROVED
SUBMITTAL DATA:	REMARKS:
NOTES 1:	
NOTES 2:	



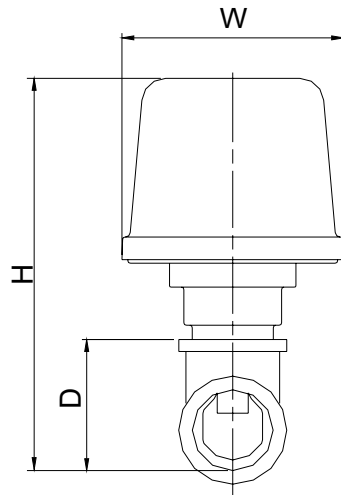
LVWFT

FEATURES:

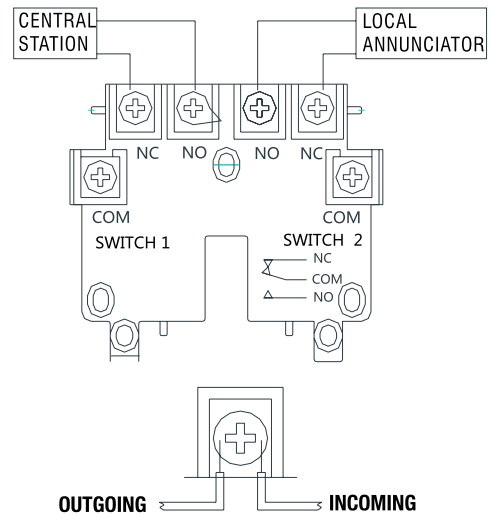
The Lansdale Valve & Manufacturing “System Detective” Waterflow switch is intended for use on Fire Sprinkler Systems. It is UL Listed and FM approved for steel pipe schedules 10 through 40 sizes 1”- 2”.

- Designed for both indoor and outdoor use
- Can be mounted in a vertical or horizontal position
- Easy to adjust retard mechanism
- Plastic directional cover for easy inspection of direction of flow and added durability
- Equipped with tamper resistant screw to prevent unauthorized entry
- Two synchronized switches are enclosed in a durable terminal block
- Two openings for ½” conduit for easy wiring
- 450 PSI working pressure
- Operating temperature 32°F to 154°F

DIMENSIONS/INCHES				
SIZE	1	1-1/4	1-1/2	2
W	3.67	3.67	3.67	3.67
H	6.46	6.79	7.05	7.56
D	2.12	2.46	2.71	3.22



TYPICAL CONNECTIONS



OUTGOING ← **INCOMING**

An uninsulated section of a single conductor should not be looped around the terminal and serve as two separate connections

PROJECT	APPROVAL STAMP
PROJECT:	<input type="checkbox"/> APPROVED
ADDRESS:	<input type="checkbox"/> APPROVED AS NOTED
ENGINEER:	<input type="checkbox"/> NOT APPROVED
SUBMITTAL DATA:	REMARKS:
NOTES 1:	
NOTES 2:	