

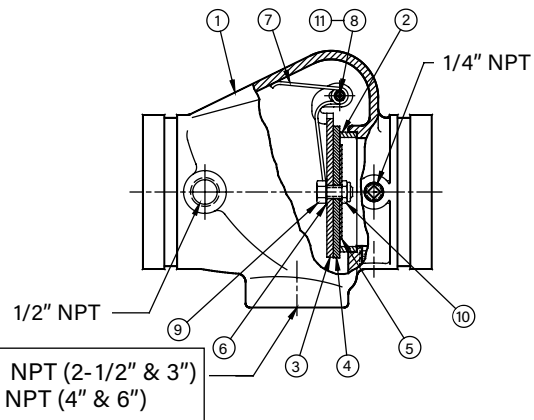
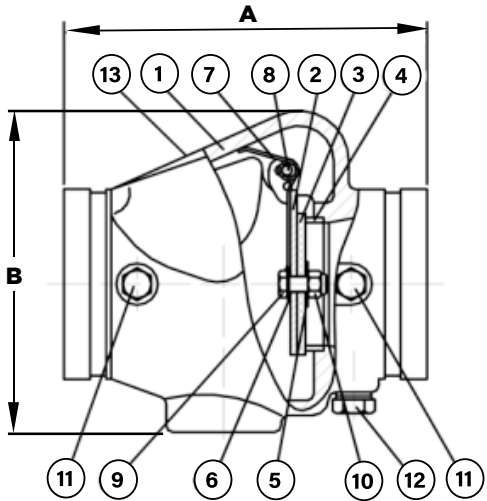
# RISER CHECK (BODY ONLY) (SHOT GUN RISER)

MODEL LVRCGGV (BODY ONLY)



## FEATURES:

Lansdale Valve & Manufacturing's Riser Check Valve (Body only) is intended for use in wet pipe fire protection systems, as well as preaction systems where there is no need for a mechanical alarm. This Riser Check body comes complete with two, 1/4" NPT tapped holes that are plugged and ready to accept the installation of pressure gauges and a 1-1/4" or 2" NPT tapped hole (depending on size) for a main drain. The use of a waterflow switch can provide an electronic alarm. Grooved end connections provide fast and economical installation of a UL/FM Approved coupling, such as Gemlock. When installed vertically the direction of flow arrow should point upward. For horizontal installation, the hinge pin must be located at the top. If used in preaction system the valve must be installed vertically. Rated for 350 PSI.



SIZE (In.)	A (In.)	B (In.)	C (In.)	D (In.)	E (In.)
2	6.7	5	3-1/4	9-1/2	2-1/2
2-1/2	7.2	5	3-1/4	9-1/2	3
3	7.8	5	3-1/4	9-1/2	3-1/2
4	8.6	7	4-1/4	13-1/2	4-1/4
6	10.6	8	6	14-1/2	4-3/4
8	12.8	8	6	14-1/2	4-3/4

NUMBER	DESCRIPTION
1	Valve Body Ductile Iron A536 GR65-45-12
2	Seat Bronze C83600 or C93200, ASTM-B505
3	Clapper Ductile Iron A536 GR65-45-12
4	Facing Seal **EPDM Rubber
5	Clamping Ring Stainless Steel 304, ASTM-A240
6	Gasket**EPDM Rubber
7	Spring Stainless Steel A276 GR302
8	Hinge Pin Stainless Steel A276 GR304
9	Bolt Stainless Steel 304, ASTM-F593
10	Locknut** Stainless Steel 303, ASTM-F594
11	Plug, 1/2" NPT Steel

DIMENSIONS											
SIZE (In.)	1-1/4	1-1/2	2	2.5	3	4	5	6	8	10	12
A	6.3	6.3	6.7	7.2	7.8	8.6	10.5	10.6	12.8	17.0	19.5
B	2.5	2.5	2.5	3.0	3.5	4.0	4.5	5.5	6.5	8.0	8.5

PROJECT	APPROVAL STAMP
PROJECT:	<input type="checkbox"/> APPROVED
ADDRESS:	<input type="checkbox"/> APPROVED AS NOTED
ENGINEER:	<input type="checkbox"/> NOT APPROVED
SUBMITTAL DATA:	REMARKS:
NOTES 1:	
NOTES 2:	