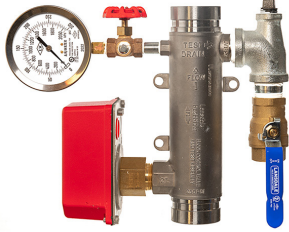
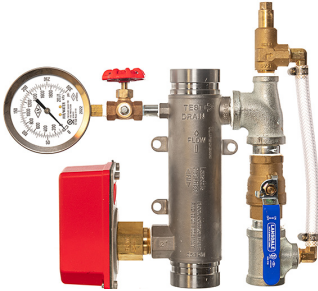


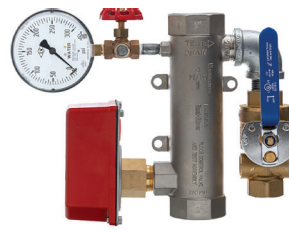
**Ball Valve**



**Ball Valve & PRV**



**Test & Drain**

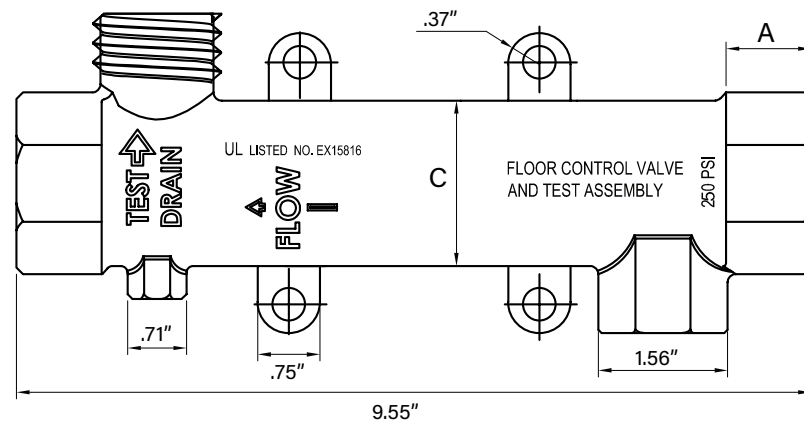


**Test & Drain & PRV**



## FEATURES:

- Lead-free stainless steel body construction with all brass trim
- Indoor/outdoor use
- Factory pressure tested at 200 PSI (13.8 bar)
- NPT (female x female) or groove x groove connections
- Slim design allows for easy installation
- Optimum sensitivity is assured through a dedicated FM Approved/UL and ULC Listed water flow detector
- Choice of 4 kinds of trim
- Test and drain with optional Field Adjustable PRV, available nominal K-Factor: 2.8, 4.2, 5.6, 8.0, 11.2, 14.0 (available on 1-1/4" - 2" size units only), and 25.2 (available on 1-1/2" and 2" size units only)



Size (In.)	Model #	A Dimensions (In.)
1	100M	.75
1-1/4	125M	1.02
1-1/2	150M	1.02
2	200M	1.02

PROJECT	APPROVAL STAMP
PROJECT:	<input type="checkbox"/> APPROVED
ADDRESS:	<input type="checkbox"/> APPROVED AS NOTED
ENGINEER:	<input type="checkbox"/> NOT APPROVED
SUBMITTAL DATA:	REMARKS:
NOTES 1:	
NOTES 2:	