

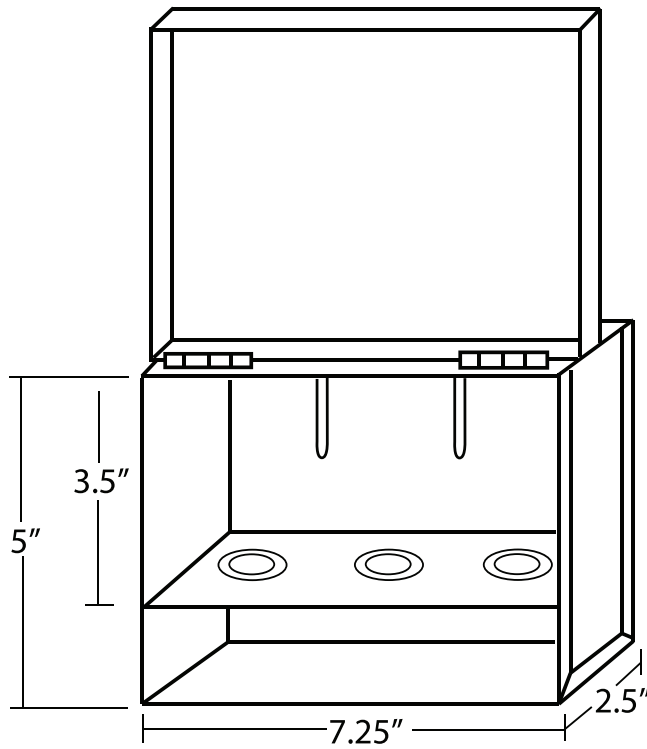
# SPARE HEAD BOX - 3 HOLE

## MODEL LVHB3



**FEATURES:**

All cabinets come with holes to fit 1/2" IPS sprinklers and "knockouts" to accommodate 3/4" IPS sprinklers. Finished in red enamel.



PROJECT	APPROVAL STAMP
PROJECT:	<input type="checkbox"/> APPROVED
ADDRESS:	<input type="checkbox"/> APPROVED AS NOTED
ENGINEER:	<input type="checkbox"/> NOT APPROVED
SUBMITTAL DATA:	REMARKS:
NOTES 1:	
NOTES 2:	

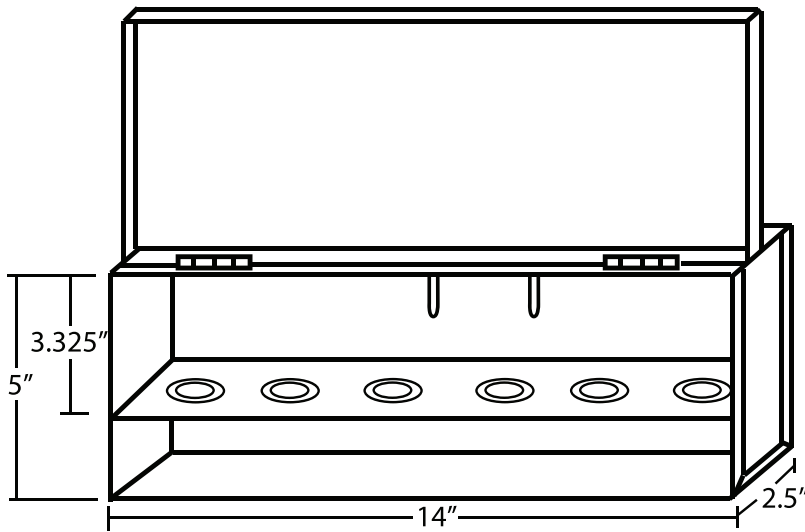
# SPARE HEAD BOX - 6 HOLE

## MODEL LVHB6



**FEATURES:**

All cabinets come with holes to fit 1/2" IPS sprinklers and "knockouts" to accommodate 3/4" IPS sprinklers. Finished in red enamel.



PROJECT	APPROVAL STAMP
PROJECT:	<input type="checkbox"/> APPROVED
ADDRESS:	<input type="checkbox"/> APPROVED AS NOTED
ENGINEER:	<input type="checkbox"/> NOT APPROVED
SUBMITTAL DATA:	REMARKS:
NOTES 1:	
NOTES 2:	

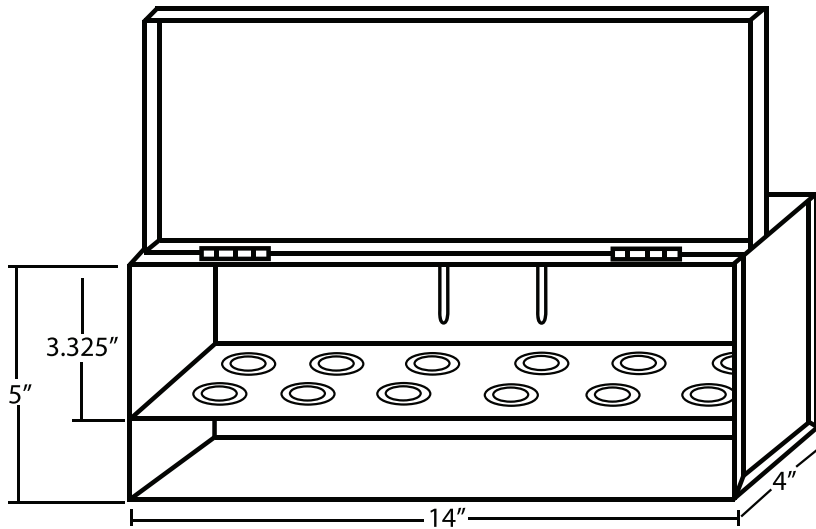
# SPARE HEAD BOX - 12 HOLE

## MODEL LVHB12



### FEATURES:

All cabinets come with holes to fit 1/2" IPS sprinklers and "knockouts" to accommodate 3/4" IPS sprinklers. Finished in red enamel.



PROJECT	APPROVAL STAMP
PROJECT:	<input type="checkbox"/> APPROVED
ADDRESS:	<input type="checkbox"/> APPROVED AS NOTED
ENGINEER:	<input type="checkbox"/> NOT APPROVED
SUBMITTAL DATA:	REMARKS:
NOTES 1:	
NOTES 2:	