

# STEM EXTENSION ADJUSTABLE 7'-10'

## MODEL LVSTMEXT



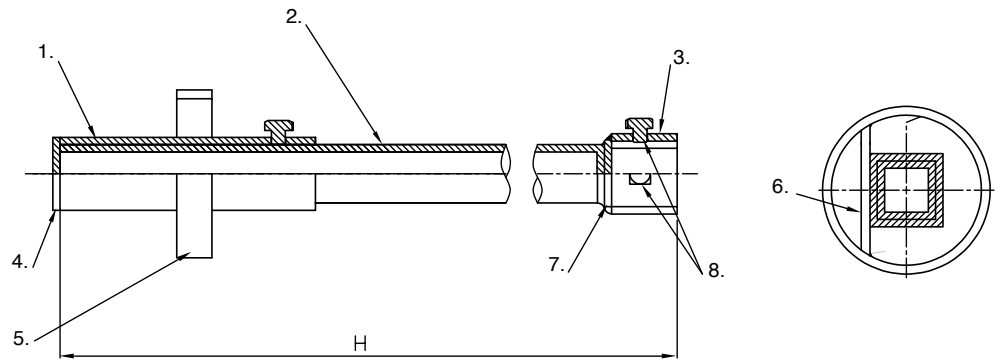
### DESCRIPTION:

Used to raise the elevation of both buried and “in-plant” valves having a 2” square operating nut.

### INSTALLATION:

Place stem over 2” square operating nut and tighten square bolt to secure.

**NOTE:** Surface Finished to NSF/ANSI 61 standard



WATER VALVE EXTENSION ADJUSTABLE	
H (In.)	
84	
120	

MATERIAL LIST				
NO.	PART	MATERIAL	SPECIFICATION	QTY.
1	Square Tube 2x2	AISI 1045	Carbon Steel	1
2	Square Tube 1-1/2 x 1-1/2	AISI 1045	Carbon Steel	1
3	Square Tube 2-1/2 x 2-1/2	AISI 1045	Carbon Steel	1
4	Steel Plate	AISI 1045	Carbon Steel	1
5	Square Tube	AISI 1045	Carbon Steel	1
6	Steel Plate	AISI 1045	Carbon Steel	1
7	Square Plate	AISI 1045	Carbon Steel	1
8	Square Bolt 3/8-16x0.375	AISI 1020	Carbon Steel Zinc Plated	3

\*NOTE: The square tube can be cut to desired length

PROJECT	APPROVAL STAMP
PROJECT:	<input type="checkbox"/> APPROVED
ADDRESS:	<input type="checkbox"/> APPROVED AS NOTED
ENGINEER:	<input type="checkbox"/> NOT APPROVED
SUBMITTAL DATA:	REMARKS:
NOTES 1:	
NOTES 2:	