



# SYSTEM DETECTIVE WATERFLOW

LVWFD (2"-8" Vane Type)



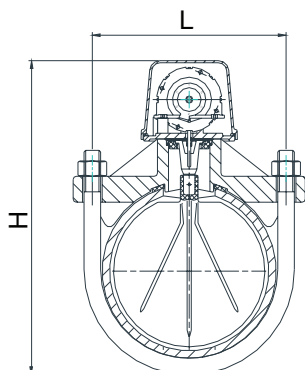
LVWFD

## FEATURES:

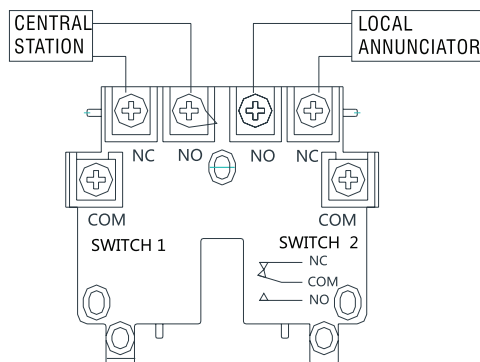
The Lansdale Valve & Manufacturing "System Detective" Waterflow switch is intended for use on Fire Sprinkler Systems. It is UL Listed and FM approved for steel pipe schedules 10 through 40 sizes 2" -8".

- Designed for both indoor and outdoor use
- Can be mounted in a vertical or horizontal position
- Easy to adjust retard mechanism
- Plastic directional cover for easy inspection of direction of flow and added durability
- Equipped with tamper resistant screw to prevent unauthorized entry
- Two synchronized switches are enclosed in a durable terminal block
- Two openings for 1/2" conduit for easy wiring
- 450 PSI working pressure
- Operating temperature 32°F to 154°F
- Operational at a flow rate of 4-10 GPM

## SCHEMATIC



## TYPICAL CONNECTIONS



An uninsulated section of a single conductor should not be looped around the terminal and serve as two separate connections

Dimensions/inches Bolt On							
Size	2	2.5	3	4	5	6	8
L	3.31	3.62	4.09	5.24	6.29	7.36	9.41
H	7.48	7.87	8.66	9.65	10.63	11.8	13.78
Normal pipe sized OD	2.37	2.87	3.5	4.5	5.56	6.63	8.63
Pipe Wall Thickness	.12-.15	.12-.2	.12-.22	.12-.24	.13-.26	.13-.28	.15-.32

PROJECT	APPROVAL STAMP
PROJECT:	<input type="checkbox"/> APPROVED
ADDRESS:	<input type="checkbox"/> APPROVED AS NOTED
ENGINEER:	<input type="checkbox"/> NOT APPROVED
SUBMITTAL DATA:	REMARKS:
NOTES 1:	
NOTES 2:	



# SYSTEM DETECTIVE WATERFLOW

MODEL LVWFT (1-2" - Threaded)



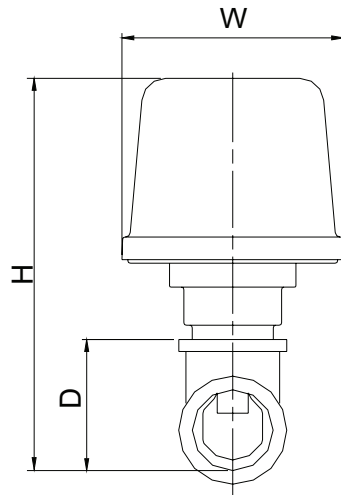
LVWFT

## FEATURES:

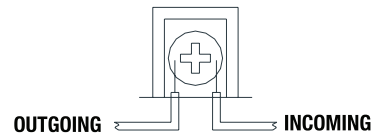
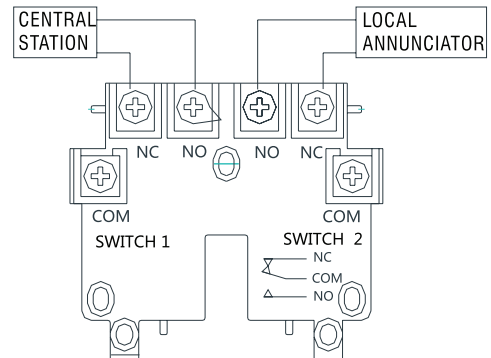
The Lansdale Valve & Manufacturing "System Detective" Waterflow switch is intended for use on Fire Sprinkler Systems. It is UL Listed and FM approved for steel pipe schedules 10 through 40 sizes 1" - 2".

- Designed for both indoor and outdoor use
- Can be mounted in a vertical or horizontal position
- Easy to adjust retard mechanism
- Plastic directional cover for easy inspection of direction of flow and added durability
- Equipped with tamper resistant screw to prevent unauthorized entry
- Two synchronized switches are enclosed in a durable terminal block
- Two openings for 1/2" conduit for easy wiring
- 450 PSI working pressure
- Operating temperature 32°F to 154°F
- Operational at a flow rate of 4-10 GPM

Dimensions/inches				
Size	1	1-1/4	1-1/2	2
W	3.67	3.67	3.67	3.67
H	6.46	6.79	7.05	7.56
D (Depth)	2.12	2.46	2.71	3.22



## TYPICAL CONNECTIONS



PROJECT	APPROVAL STAMP
PROJECT:	<input type="checkbox"/> APPROVED
ADDRESS:	<input type="checkbox"/> APPROVED AS NOTED
ENGINEER:	<input type="checkbox"/> NOT APPROVED
SUBMITTAL DATA:	REMARKS:
NOTES 1:	
NOTES 2:	