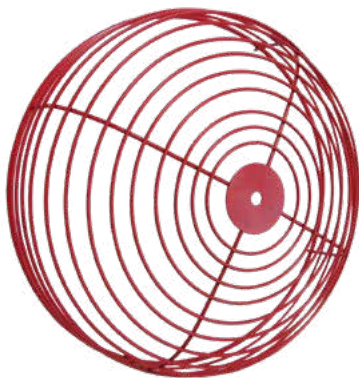




www.LansdaleValve.com

WIRE BELL GUARDS

MODEL LVWBG



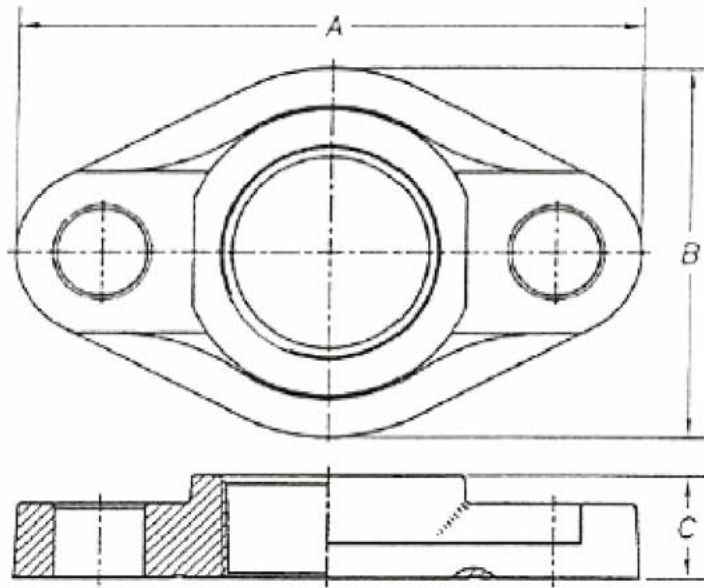
FEATURES:

Wire Bell Guards are made with heavy wire construction applicable to water motor gongs. Will fit 6", 8", and 10" bells with 4 quick cuts.

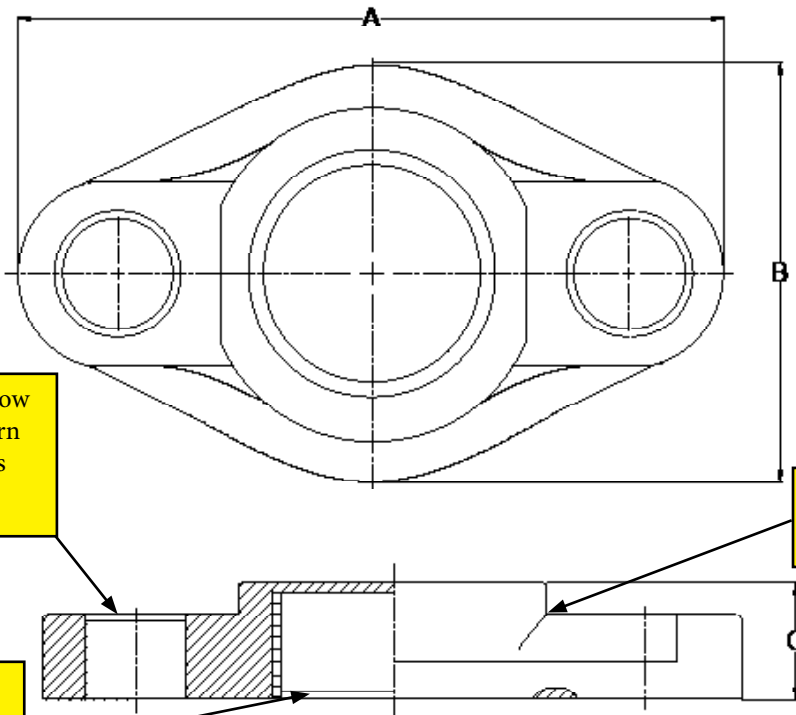
- Red

PROJECT	APPROVAL STAMP
PROJECT:	<input type="checkbox"/> APPROVED
ADDRESS:	<input type="checkbox"/> APPROVED AS NOTED
ENGINEER:	<input type="checkbox"/> NOT APPROVED
SUBMITTAL DATA:	REMARKS:
NOTES 1:	
NOTES 2:	

original drawing



new drawing



Do you know what pattern goes in this top bar

I can't tell what this is in the original drawing. I put a line there for now

Do you know what pattern goes in this bar